

# P 300 KS

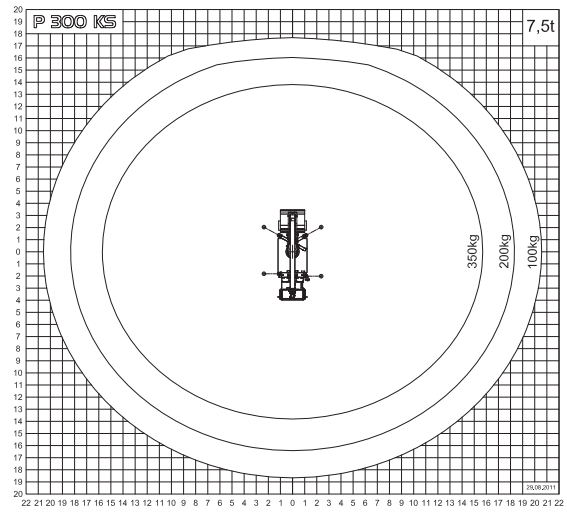
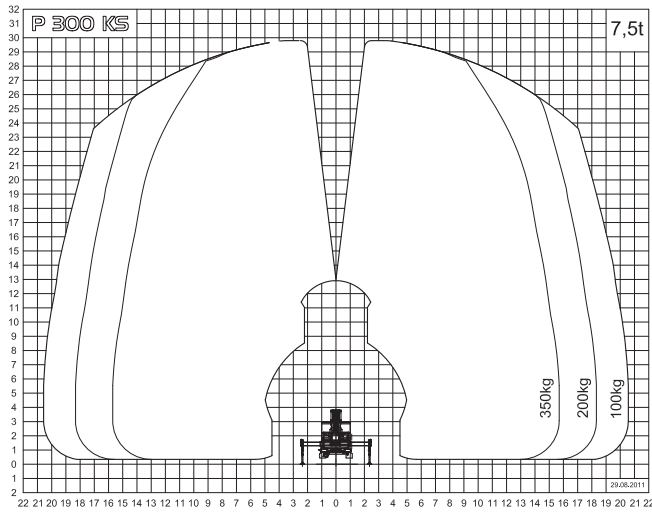
**PALFINGER**



## P 300 KS. Manoeuvrability and dynamics in a new disguise.

The P 300 KS does not only attract admiring glances due to its appealing appearance and design, it also gains the support of experienced users by achieving top marks in compactness, performance and working range. The counter slewing system makes it the most manoeuvrable in its class. A large number of comfort functions and a state-of-the-art control panel set standards in operator-friendliness.

# Function and design for maximum customer benefit



## Technical Data P 300 KS

Max. working height	30 m
Max. cage bottom height	28 m
Max. outreach to the side (incl. hand area)	20.5 m
Max. outreach to the back (incl. hand area)	20.5 m
Angle of main boom	0° - 80°
Rotation angle of turntable	540°
Rotation angle of cage	2 x 85°
Rotation angle of cage boom	195°
Max. cage load	350 kg
Size of cage	1.8 x 1.0 x 1.1 m
Max. inclination of platform	5°
Height in transportposition	3.45 m

Width in transportposition	2.50 m
Overall length	7.45 m
Wheelbase	3.05 m
Overall weight with persons in the cab	7160 kg

## Serial equipment

Automated outriggers and setup leveling	yes
Check for battery voltage	yes
Memory-Function	yes
Home-Function	yes

